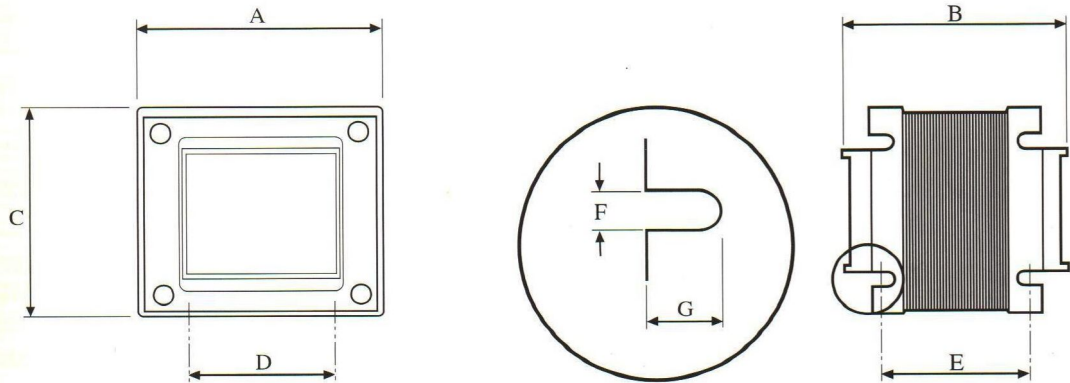


# Data sheet

## Frame Constructions UFJ Range

Range from 350-1500va



Reference number	Outside dimensions (mm)			H	Fixing centres (mm)		Fixing slots (mm)		Approx. weight kg
	A	B*	C		D	E	F	G	
UFJ638-36	167.0	120.0	140.0	-	88.9	86.0	7.14	12.7	9.50
UFJ638-42	167.0	130.0	140.0	-	88.9	96.0	7.14	12.7	11.00
UFJ638-56	167.0	139.0	140.0	-	88.9	118.0	7.14	12.7	14.50
UFJ638-68	167.0	165.0	140.0	-	88.9	137.0	7.14	12.7	17.50

\* Note: Dimension B varies with construction  
All dimensions in millimetres