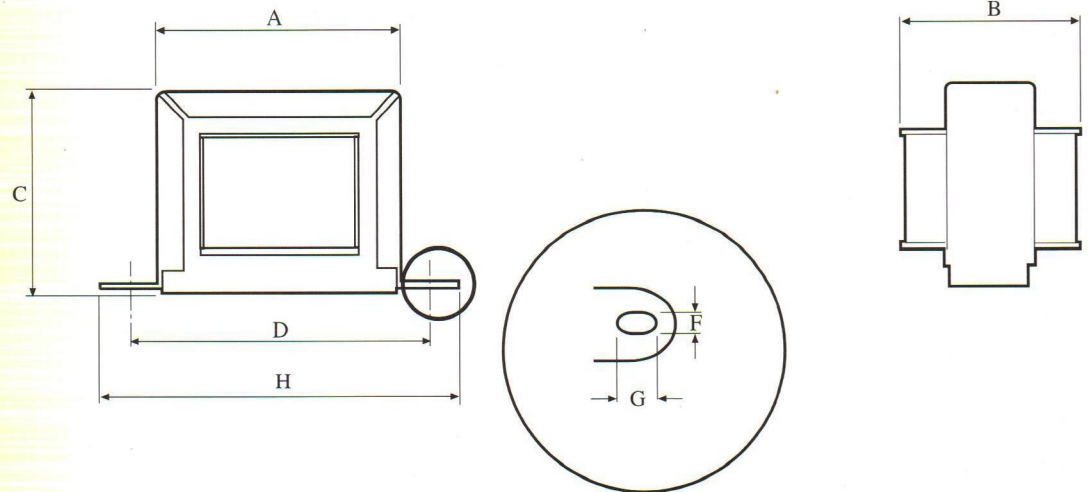


Data sheet

Clamp Constructions CP Range

Range from 5-100va



Reference number	Outside dimensions (mm)			Fixing centres (mm)			Fixing slots (mm)		Approx. weight kg
	A	B*	C	H	D	E	F	G	
CP18-9	45.0	32.5	37.5	66.7	54.0	-	3.97	6.35	0.20
CP145-10	50.5	33.5	41.5	74.7	60.3	-	3.97	6.35	0.26
CP74-11	55.0	36.0	46.0	81.0	68.3	-	4.76	8.73	0.34
CP35-12	59.5	40.0	50.0	88.0	73.0	-	4.76	8.73	0.43
CP35-16	59.5	46.5	50.0	88.0	73.0	-	4.76	8.73	0.54
CP147-14	69.5	46.5	57.5	96.5	82.6	-	4.76	8.73	0.70
CP147-16	69.5	50.0	57.5	96.5	82.6	-	4.76	8.73	0.75
CP147-20	69.5	55.5	57.5	96.5	82.6	-	4.76	8.73	0.85
CP29-16	79.0	60.5	66.5	105.0	92.1	-	4.76	9.52	0.95
CP29-20	79.0	67.0	66.5	105.0	92.1	-	4.76	9.52	1.20
CP196-18	88.0	67.0	73.0	118.0	102.0	-	4.76	9.52	1.40

* Note: Dimension B varies with construction
All dimensions in millimetres