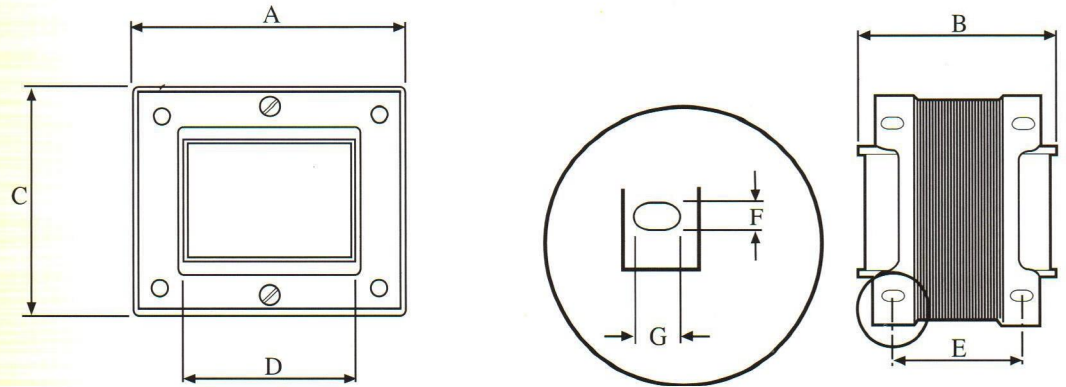


Data sheet

Frame Constructions UF Range

Range from 20-500va



Reference number	Outside dimensions (mm)				Fixing centres (mm)			Fixing slots (mm)		Approx. weight kg
	A	B*	C	H	D	E	F	G		
UF147-14	70.0	46.5	59.0	-	44.5	34.9	3.97	7.14	0.70	
UF147-16	70.0	50.0	59.0	-	44.5	38.1	3.97	7.14	0.75	
UF147-20	70.0	56.5	59.0	-	44.5	44.5	3.97	7.14	0.85	
UF 29-16	80.0	60.5	67.0	-	54.0	41.3	3.97	7.93	0.95	
UF29-20	80.0	67.0	67.0	-	54.0	47.6	3.97	7.93	1.20	
UF29-24	80.0	73.5	67.0	-	54.0	54.0	3.97	7.93	1.35	
UF196-18	89.0	63.0	75.0	-	57.0	43.5	4.76	7.93	1.40	
UF78-20	100.0	70.0	84.0	-	63.5	47.6	4.76	7.93	2.00	
UF120-16	120.0	76.0	101.0	-	63.5	42.9	5.15	9.52	2.50	
UF120-24	120.0	92.0	101.0	-	63.5	55.6	5.15	9.52	3.50	
UF120-32	120.0	104.0	101.0	-	63.5	68.3	5.15	9.52	4.50	
UF120-40	120.0	117.0	101.0	-	63.5	81.0	5.15	9.52	5.50	
UF120-48	120.0	130.0	101.0	-	63.5	93.7	5.15	9.52	6.00	
UF220-28	138.0	107.0	115.0	-	88.9	57.2	6.35	11.1	5.50	
UF220-32	138.0	114.0	115.0	-	88.9	69.9	6.35	11.1	7.00	
UF220-40	138.0	126.0	115.0	-	88.9	82.6	6.35	11.1	8.50	
UF220-48	138.0	133.0	115.0	-	88.9	95.3	6.35	11.1	9.50	

* Note: Dimension B varies with construction
All dimensions in millimetres